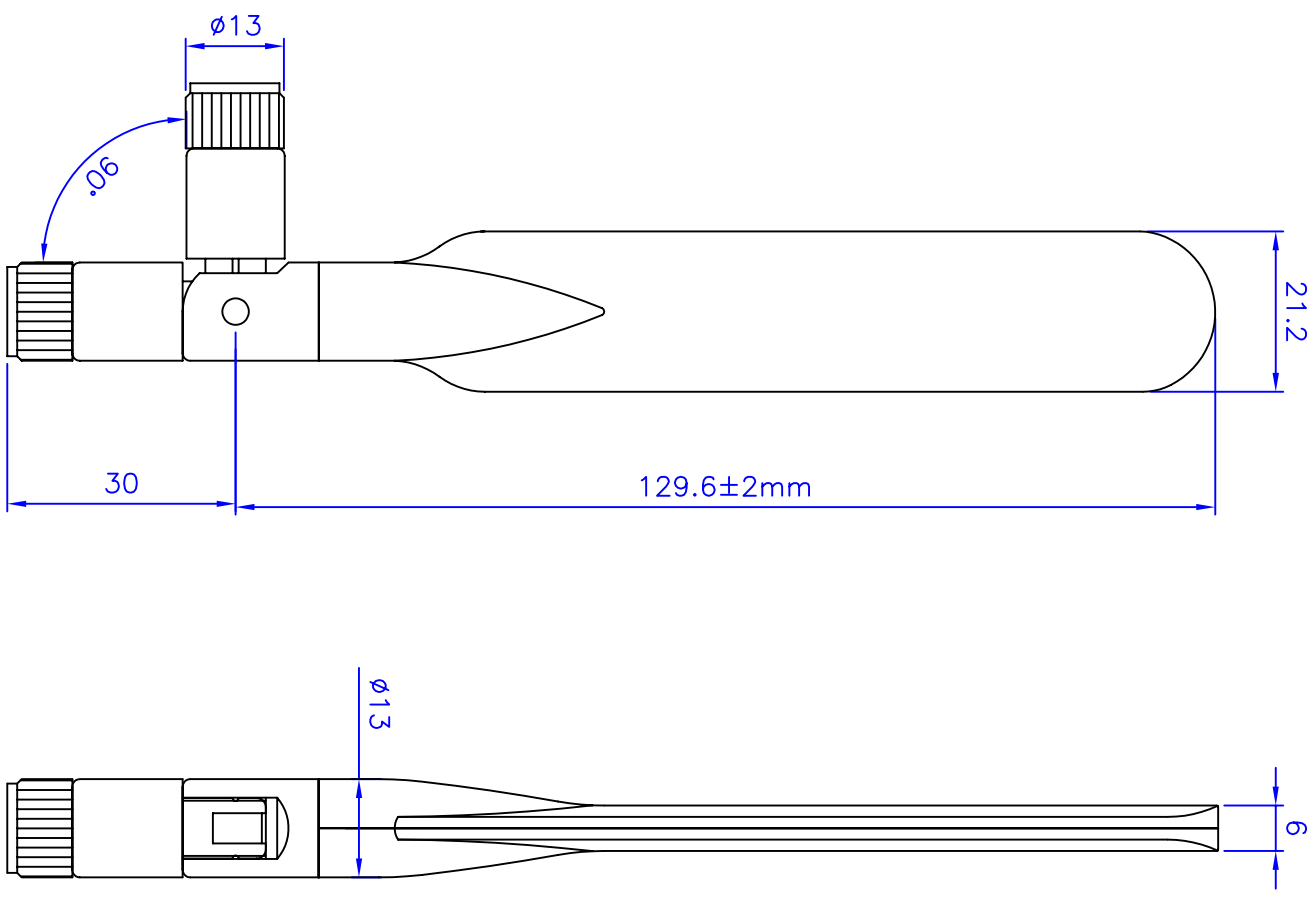


Connector code	Description	P / N
-XX-		
AM	SMA plug	T6140AM-AGDPU-S
AH	SMA plug revers polarity	T6140AH-AGDPU-S



**Electrical Properties:**

Frequency Range: 824~896MHz  
 AMPS: 890~860MHz  
 GSM: 1850~1990MHz  
 PCS: 1710~1880MHz  
 DCS: 1920~2170MHz  
 UMTS: 50Ω nominal  
 Impedance: ADGP <2.0:1 ; UMTS <3.0:1  
 VSWR: 2dBi  
 Gain: Omni  
 Radiation: Vertical  
 Polarization: Vertical

**Mechanical Properties:**

Connector: SMA  
 Material: Polycarbonate(Black)  
 Whip: Swivel Mechanism: Polycarbonate(Black)  
 Connector: Brass with black chrome plating  
 Operation Temp.: -20°C to +65°C  
 Storage Temp.: -30°C to +75°C

TITLE	Multiple Band Swivel Antenna		VER
UNIT	6140 model		1.0
SCALE	mm		
NONE	DWG. NO. T6140XX-AGDPU-S		

**NEARSON**